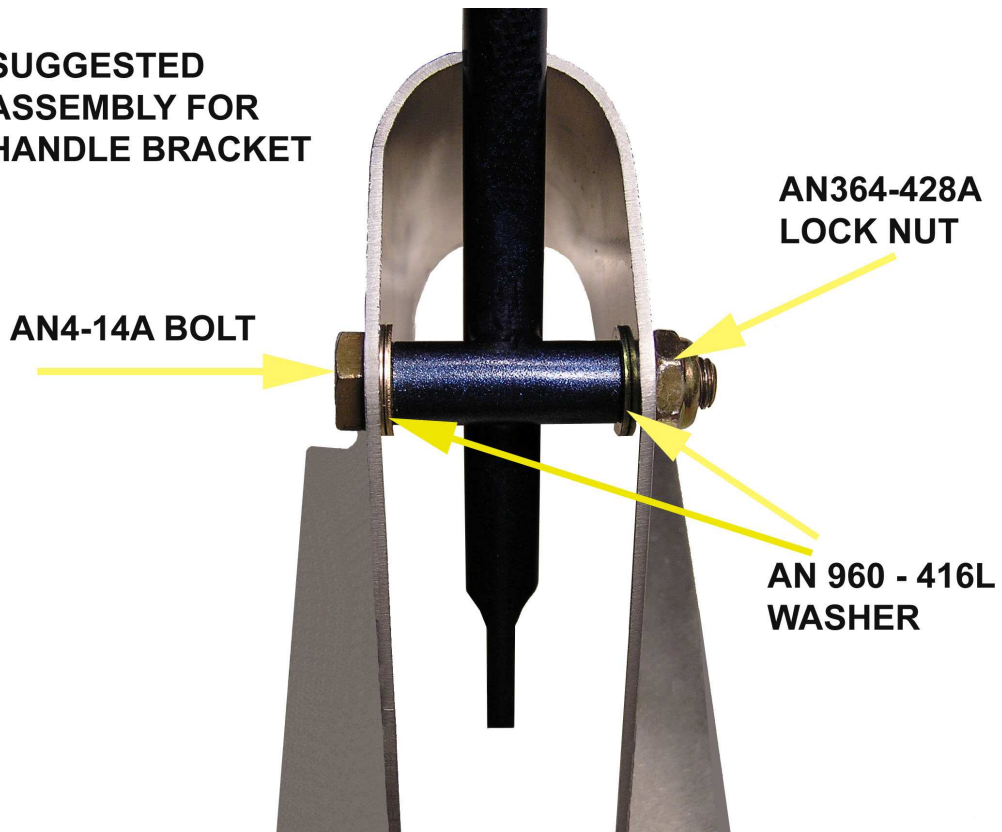


**SUGGESTED
ASSEMBLY FOR
HANDLE BRACKET**



**SUGGESTED ASSEMBLY
FOR CABLE TO HANDLE**

